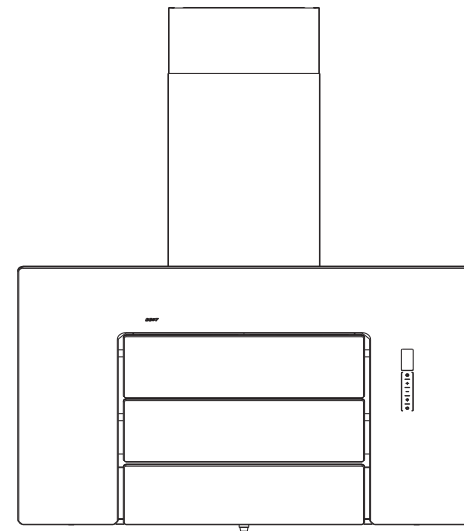


**Daniela**

CANOPY  
DECORATIVE COOKER HOOD

INSTRUCTION MANUAL



Model no: WV0190

HYT08AU04006

Dear Customer,  
If you follow the recommendations contained in this Instruction Manual, our appliance will give you constant high performance and will remain efficient for many years to come.

## CONTENTS

---

### RECOMMENDATIONS AND SUGGESTIONS CHARACTERISTICS INSTALLATION & USE MAINTENANCE

## RECOMMENDATIONS AND SUGGESTIONS

---

### INSTALLATION

- \* The manufacturer will not be held liable for any damages resulting from incorrect or improper installation.
- \* Please read this instruction manual before installing and using this cooker hood. Properly keep this instruction manual in a safe place for future reference.
- \* This cooker hood can be used either in the Ducted Mode (ducting fumes to the outside) or in the Recirculation Mode (internal recycling). The choice of modes can be left to customers.
- \* Only a qualified and trained service technician can undertake the work of installation, and services.
- \* Check that the mains voltage corresponds to the one indicated on the rating plate fixed inside the hood.
- \* Check that the domestic power supply guarantees adequate earthing.
- \* Do not connect the hood to exhaust ducts carrying combustion fumes (boilers, fireplaces, etc.)
- \* If the hood is used in conjunction with non-electrical appliances (e. g. gas burning appliances), a sufficient degree of aeration must be guaranteed in the room in order to prevent the backflow of exhaust gas. The kitchen must have an opening directly with the open air in order to guarantee the entry of clean air.

- \* The minimum distance is 750mm from the cooker hood to a gas hob, and is 650mm to an electric hob. If the installation instructions for gas hobs specify a greater distance, this must be taken into account.

**NOTICE:** Considering excessive weight, two or more people are required to install or move this appliance. Failure to do so can cause physical injuries.

### USE

- \* The cooker hood has been designed only for domestic use to eliminate kitchen fumes.
- \* Never use the hood for purposes other than what it has been designed for.
- \* Never leave high naked flames under the hood when it is in operation.
- \* Adjust the flame intensity to direct it onto the bottom of the pan only; making sure that it does not engulf the pan sides.
- \* Deep fat fryer must be continuously monitored during use: overheated oil can burst into flame.
- \* The hood should not be used by children or person not instructed in its correct use.

### MAINTENANCE

- \* Proper maintenance of the Range Hood will assure proper performance of the unit.
- \* Disconnect the hood from the main supply before carrying out any maintenance work.
- \* Clean and/or replace aluminum grease filters and activated charcoal filters after specified period of time.
- \* Clean the hood using a damp cloth and a neutral liquid detergent.
- \* **DISPOSAL:** Do not dispose this product as unsorted municipal waste. Collection of such waste separately for special treatment is necessary.

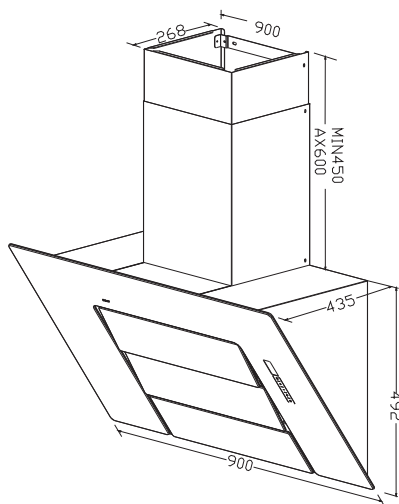
### WARNING!!

- In certain circumstances electrical appliances may be a danger hazard.
- \* Do not check the status of the filters while the cooker hood is operating.
  - \* Do not touch the light bulbs after appliance use.
  - \* Do not disconnect the appliance with wet hands.
  - \* Avoid free flame, as it is damaging for the filters and a fire hazard.
  - \* Constantly check food frying to avoid that the overheated oil may become a fire hazard.

- \* Disconnect the electrical plug prior to any maintenance.
- \* Children don't recognize the risks of electrical appliances. Therefore use or keep the appliance only under supervision of adults and out of the reach from children.
- \* Don't use this product outdoor.
- \* This appliance is not intended for use by persons (including children) with reduced physical, sensory or mental capabilities, or lack of experience and knowledge, unless they have been given supervision or instruction concerning use of the appliance by a person responsible for their safety. Children should be supervised to ensure that they do not play with the appliance.
- \* There shall be adequate ventilation of the room when the range hood is used at the same time as appliances burning gas or other fuels.
- \* There is a fire risk if cleaning is not carried out in accordance with instructions.
- \* Do not flambé under the range hood.
- \* The discharge air must not be discharged into a flue which is used for exhausting fumes from appliances burning gas or other fuels.

## CHARACTERISTICS

## DIMENSIONS



## COMPONENTS

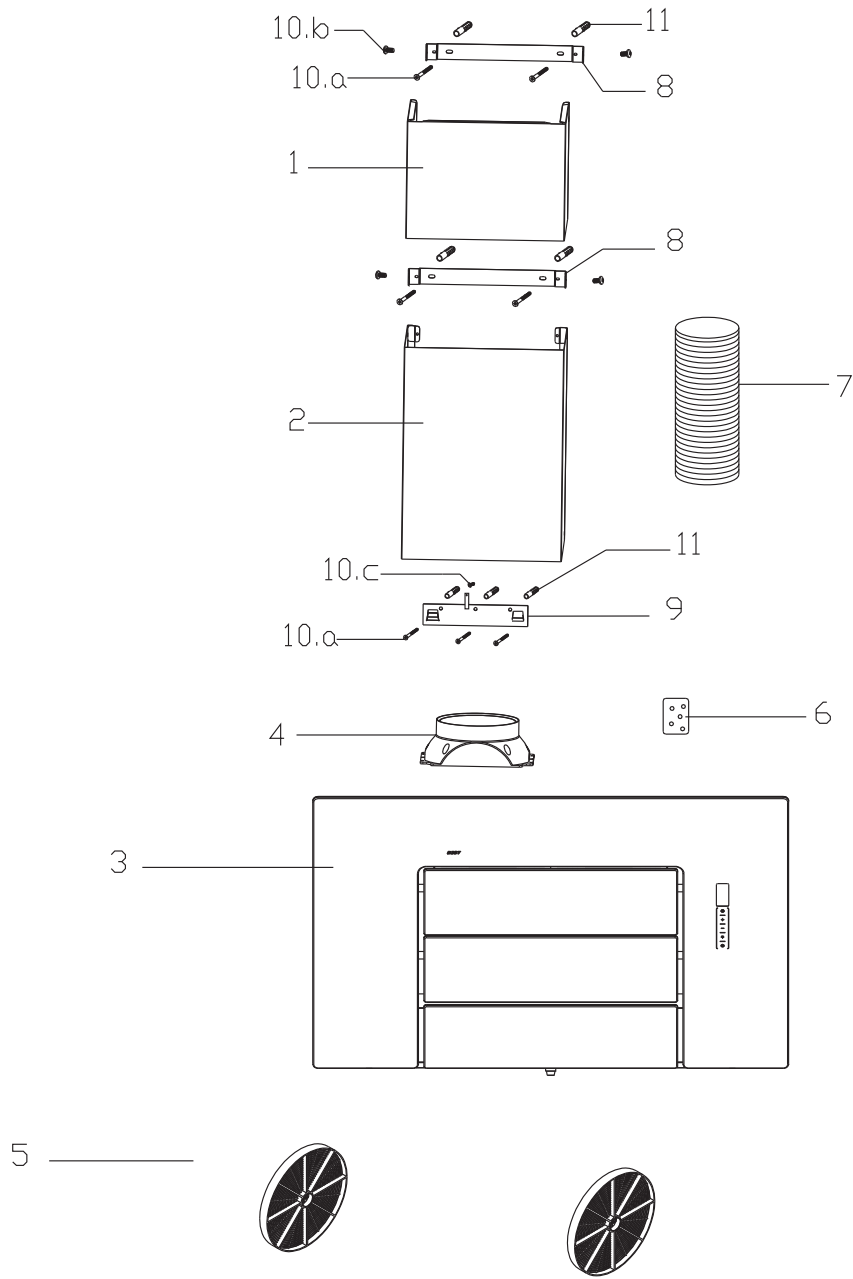
Ref	Q' ty	Product Components
1	1pc	Decorative Chimney Top
2	1pc	Decorative Chimney Bottom
3	1pc	Hood body, complete with: controls, lights, blower, filters,
4	1pc	Air outlet adapter
5	2pcs	Charcoal filter (optional)
6	1pc	Remote control
7	1pc	Plastic Exhaust Duct or Aluminum Exhaust Duct (optional)
12	1pc	Wall or Roof Cap (optional)

Ref	Q' ty	Installation Components
8	2pcs	Chimney Mounting Bracket
9	1pc	Hood Mounting Bracket
10.a	7pcs	Mounting Screws (ST5 X 50 MM)
10.b	4pcs	Chimney Mounting Bracket Screws (M4 X 16MM)
10.c	1pc	Fasten screw for hood mounting bracket(M4 X10MM)
11	7pcs	Drywall Anchors

Ref	Q' ty	Documentations
13	1pc	Instruction Manual

## Specification

Model	WV0190
Rated Voltage	220-240V~
Rated Power Frequency	50Hz
Light Power	2x2W (LED LAMP)
Motor Power	180W
Total Power	184W
Motor	1
Diameter of Outlet Adapter	150mm
Dimension (mm)	W900 x D435x H942-1092



5

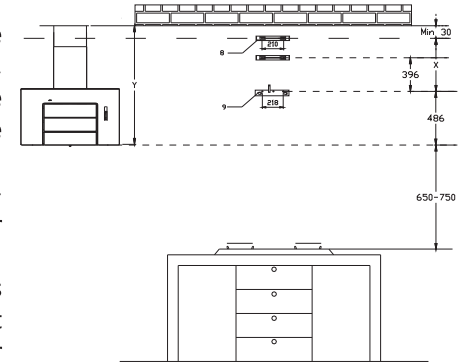
## INSTALLATION & USE

Note 1 : On stainless steel hoods, carefully remove the plastic protective film from all exterior surfaces of the hood and chimney prior to final installation.

Note 2: At least two people will be required to mount the hood.

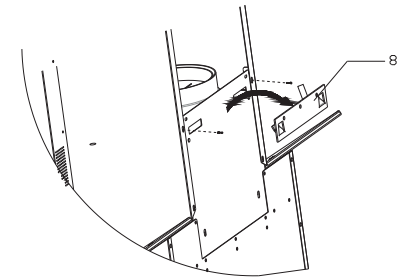
### WALL DRILLING AND BRACKETS FIXING (X=Y-516)

1. Draw a vertical line on the supporting wall up to the ceiling, or as high as practical, at the centre of the area in which the hood will be installed.
2. Draw a horizontal line at 650-750mm above the electric hob or the gas hob.
3. Place chimney mounting brackets 8 on the wall as shown about 30mm from the ceiling or upper limit aligning the centre (notch) with the vertical reference line.
4. Mark the wall at the centre of the holes in the bracket.
5. Place the hood mounting bracket 9 on the wall as shown aligning the central notches to the vertical reference line.
6. Mark the wall at the centre of the holes in the bracket.
7. Drill  $\phi 10$ mm holes at all the centre points marked.
8. Fix the two brackets using the mounting screws and drywall anchors.



### MOUNTING THE HOOD

1. Be sure to fasten the Chimney bottom to the hood before hook the hood on the wall.
2. Hook the body onto the hood mounting bracket 9 as shown.
3. Balance the hood body by slightly adjusting the hood mounting bracket. Gently lower the hood until it securely engages the bracket.

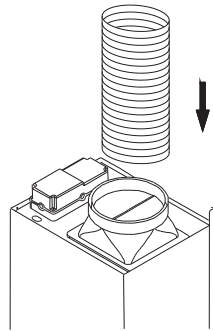


6

### AIR OUTLET ADAPTER/DUCT FIXING

Caution: To reduce the risk of fire, use metal ductwork only.

1. Install the air outlet adapter to the hood.
2. Attach an adequate length of  $\phi$  150mm round duct into the recessed area of the air outlet adapter.
3. Secure the duct using two screws that have been already fixed on the two sides of the air outlet adapter. Make sure the duct is fixed well on.

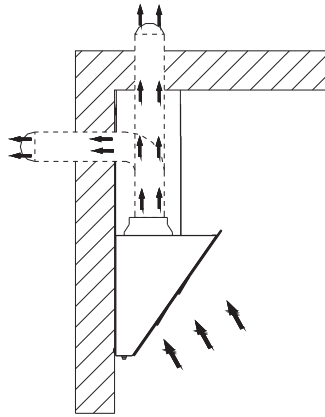


### CONNECTIONS

#### **Ducted mode air exhaust system**

Caution: To reduce the risk of fire, use metal ductwork only.

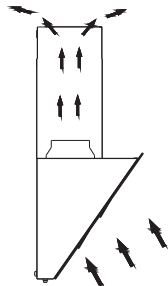
1. Decide where the ductwork will run between the hood and the outside.
2. A straight, short duct run will allow the hood to perform most efficiently.
3. Long duct runs, elbows, and transitions will reduce the performance of the hood. Use as few of them as possible. Larger ducting may be required for best performance with longer duct runs.
4. Attach an adequate length of  $\phi$  150mm round duct to the air outlet adapter.
5. The air must not be discharge into a flue that is used for exhausting fumes from appliances burning gas or other fuels" "Regulations concerning the discharge of air have to be fulfilled.
6. Install a roof/wall cap. Connect round metal ductwork to cap and work back towards hood location. Use duct tape to seal the joints between ductwork sections.



#### **Recirculation Mode**

Caution: Do not use plastic or rigid metal ducting.

1. Install the charcoal filter on.
2. Please note that the air will flow out from the two grids on the two sides of the decorative chimney bottom.



### **Electrical connection**

\* Electrical wiring must be done by a qualified person(s) in accordance with all applicable codes and standards. **Turn off electrical power at service entrance before wiring.**

\* If the supply cord is damaged, it must be replaced by the manufacturer, its service agent or similarly qualified persons in order to avoid a hazard.

\* Do not use the plug and an extension cord other than the ones initially supplied with the hood.

\* The earthing of this hood is compulsory. Do not remove ground prong of the plug.

### TELESCOPIC CHIMNEY COMPRISING ASSEMBLY

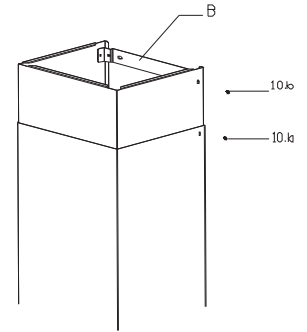
#### **Decorative Chimney Bottom**

Carefully slide the decorative chimney bottom 2 down outside the decorative chimney top 1

Carefully place the decorative chimney bottom 2 into the recessed area of the hood body top then secure the chimney to the chimney bracket 8 is well fixed on the wall with screws 10.b

#### **Decorative Chimney Top**

Raise the decorative chimney top 1 up inside the decorative chimney bottom 2 Secure the decorative chimney top 1 to the chimney mounting bracket 8 that is well fixed on the wall with the two chimney bracket screws 10.a supplied from two sides.

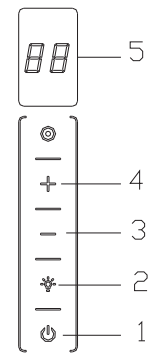


### OPERATION OF CONTROLS

This Range hood is used with feeling touch switch at 3 speeds.

display mode/ Reset key

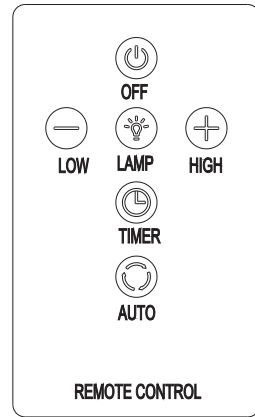
1. on/off
2. Light
3. Speed down
4. Speed up
5. Display



**Note: The operation of remote control is same as above mentioned.**

1.Connect the power of hood, LED display shows "00" . 4 seconds later it will turn itself off automatically if there' s no operation.

2.Press screen button (1) gently, the LED display shows "00" . There are 1-3 levels of motor speed, press button (4) gently once to add one level of motor speed, LED display shows "F1-F2-F3-00" . Press button (3) gently once to reduce one level of motor speed. Press button (1) gently to turn off the motor and record the level of speed, so next time open the hood, it shows last level of motor speed.



3. Press button (2) gently to turn the light on and off.

4.When the motor is working, keep pressing button (1) gently for 2 seconds, the time delay function effects. Press button (3) and (4) gently to set time from "01--99" . Keep pressing button (3) or (4), the time number will change rapidly.

5.Press Auto switch on the remote control or keep pressing screen button(1)gently for 3 seconds when the hood is on standby, LED display shows" Auto" flashing, 1minute later, the gas sensor function effects, the hood will be automatically on at 3 speeds if the sensor detects fume. The hood will be automatically off if sensor detects no gas or fumes existing in 1minute.

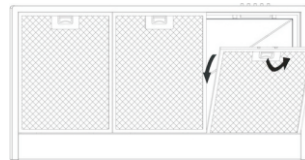
## MAINTENANCE

### GREASE FILTER

\* The grease filters should be cleaned frequently (every two months of operation, or more frequently for heavy use). Use a warm detergent solution.

\* Grease filters are washable.

- 1.Remove the grease filter one by one by pulling out each latch. This will disengage the filter from the hood. Tilt the filter downward and remove.
- 2.Wash the filters, taking care not to bend them. Allow them to be dry before refitting.
- 3.When refitting the filters, make sure that the handle is visible from the outside



4.To install the grease filter, align rear filter tabs with slots in the hood. Pull out the latch, push filter into position and release. Make sure the filter is securely engaged after assembly.

### NON-DUCTED RECIRCULATION CHARCOAL FILTER

This filter is not washable, can not be regenerated, and should be replaced approximately every 3 months of operation, or more frequently in the case of heavy usage.



1.To install the charcoal filter, and lock it until the stop click is heard.

2.Install grease filter after charcoal filter is installed.

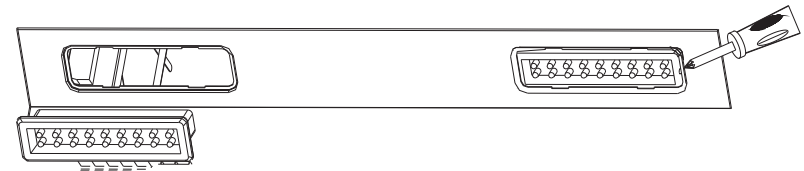
### LED LAMPS

This range hood require two LED lamps (DC 12V, 2W Max)

**WARNING:** Always switch off the electrical supply before carrying out any operation on the appliance.

To change bulbs:

- 1.Kick off the LED lamps by using the flat screw driver.
- 2.Disconnect the lamp socket .
- 3.Replace with DC12V, 2W Max.LED lamp. Do not touch replacement bulb with bare hands!

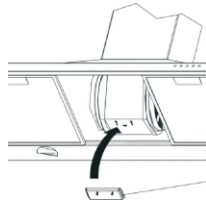


### **CAUTION:**

THE SURFACE, THE COVER OF THE LED LAMPS MAY BE HOT. TAKE CARE WHEN TAKING THE REPLACEMENT.

### OIL CUP

- 1.To install the oil cup, and lock it on to the motor blower.
- 2.The oil cup should be cleaned frequently. The oil accumulated inside the oil cup can not be more than half. Use a warm detergent solution.
- 3.Allow it to be dry before refitting.



### HOOD CLEANING

Stainless steel is one of the easiest materials to keep clean. Occasional care will help preserve its fine appearance.

Cleaning tips:

- \* Hot water with soap or detergent is all that is usually needed.
- \* Follow all cleaning by rinsing with clear water. Wipe dry with a clean, soft cloth to avoid water marks.
- \* For discolorations or deposits that persist, use a non-scratching household cleanser or stainless steel polishing powder with a little water and a soft cloth.
- \* For stubborn cases use a plastic scouring pad or soft bristle brush together with cleanser and water. Rub lightly in direction of polishing lines or "grain" of the stainless finish. Avoid using too much pressure that may mar the surface.
- \* Do not allow deposits to remain for long periods of time.
- \* Do not use ordinary steel wool or steel brushes. Small bits of steel may adhere to the surface causing rust.
- \* Do not allow salt solutions, disinfectants, bleaches, or cleaning compounds to remain in contact with stainless steel for extended periods. Many of these compounds contain chemicals that may be harmful. Rinse with water after exposure and wipe dry with a clean cloth.
- \* Painted surfaces should be cleaned with warm water and mild detergent only.

